

Technical data sheet



Product features

Cabinet 1x Door 33x53

Model

SAP Code

00003000



– Material: Stainless steel

Technical data sheet



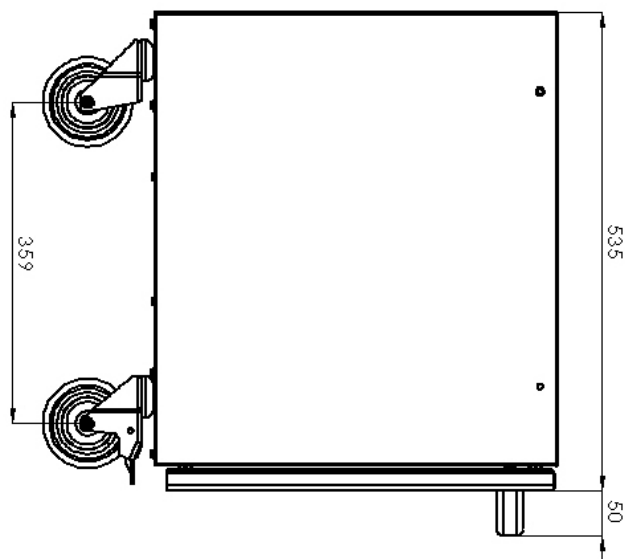
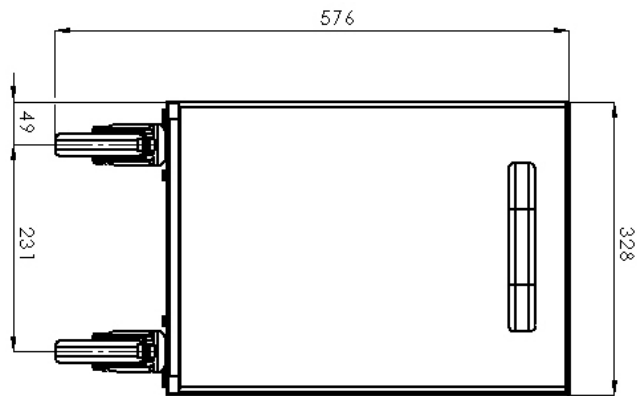
Technical drawing

Cabinet 1x Door 33x53

Model

SAP Code

00003000



Technical data sheet



Technical parameters

Cabinet 1x Door 33x53

Model

SAP Code

00003000

1. SAP Code:

00003000

6. Gross Width [mm]:

370

2. Net Width [mm]:

330

7. Gross depth [mm]:

610

3. Net Depth [mm]:

510

8. Gross Height [mm]:

600

4. Net Height [mm]:

570

9. Gross Weight [kg]:

12.00

5. Net Weight [kg]:

10.00

10. Material:

Stainless steel